



Easy Radiant "Works"

12288 Brawn Road , Wainfleet, Ontario, Canada L0S 1V0

Phone: 905-899-3473 Fax: 905-899-2262

www.easyradiantworks.com email: erw@vaxxine.com



PATIO PLUS PATIO HEATER **HIGH INTENSITY INFRARED PATIO HEATER**

PH-45-30-P-LP - Portable model, 20/30lb propane tank

PH-45(50)-FS - Freestanding model, connects to bulk supply via flexible gas connector, movable

PH-45(50)-FB - Fixed Base model, surface mounted for permanent installation

PH-45(50)-IG - In Ground model, installed with in ground supports for permanent installation

PH-45(50)-H - Hanging model, affixed from overhead supports for permanent installation

Suffix "D" indicates 24v direct spark ignition package.

Suffix "B" indicates black finish

Suffix "S" indicates stainless steel finish

Electrical: "D" models - require 24v electrical supply

PH-9VW Kit - 9v supplied by internal battery pack

Gas Specifications: Min. Inlet Pressure - 7" W.C. NG, 11" W.C. LP

Max. Inlet Pressure - 14" W.C. NG & LP

Manifold Pressure - 3.5" W.C. NG, 10.5" W.C. LP

Input: 50,000 BTU

Clearances to Combustibles: 18" Above, 30" Sides, 30" Below

Warranty: 4 Year Complete "No Ifs, Ands, or Buts" Guarantee

Approvals: Tested and approved by Intertek ETL to all applicable ANSI/CSA standards.

Location of Manufacture: Canada



Intertek

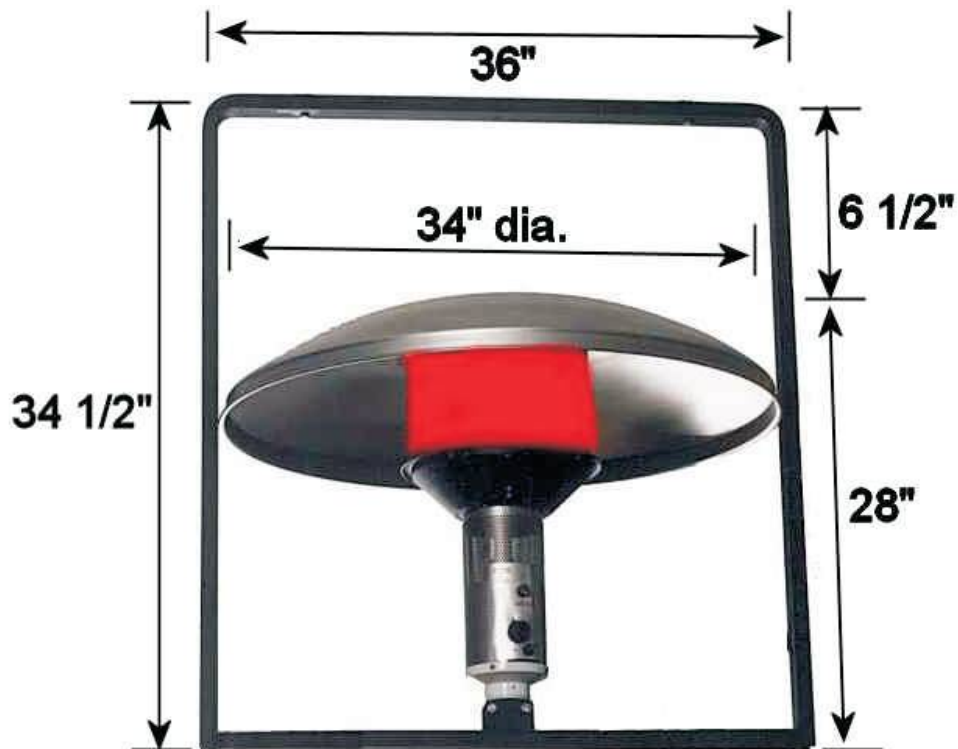
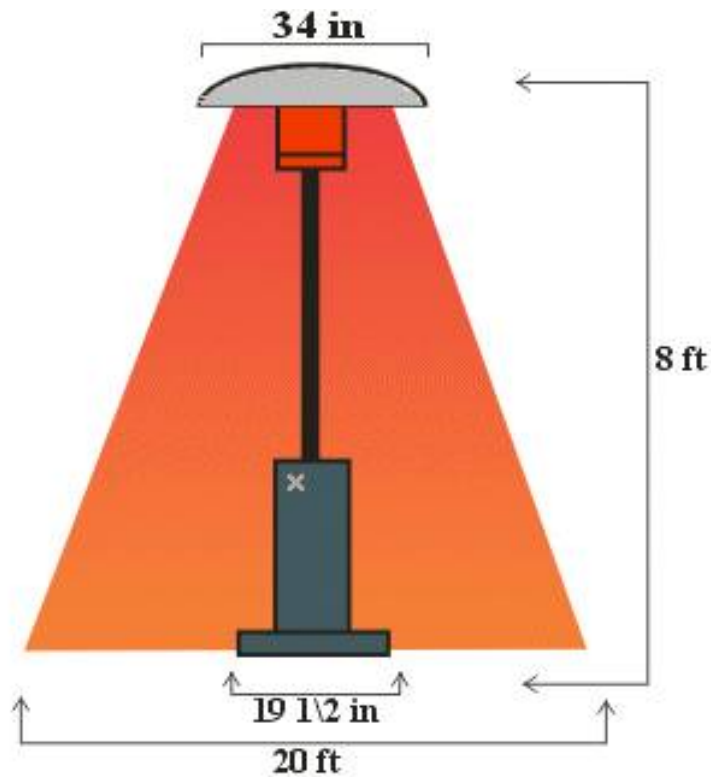


Easy Radiant "Works"

12288 Brawn Road 22, Wainfleet, Ontario, Canada L0S 1V0

Phone: 905-899-3473 Fax: 905-899-2262

www.easyradiantworks.com email: erw@vaxxine.com





Easy Radiant “Works”

12288 Brawn Road 22, Wainfleet, Ontario, Canada L0S 1V0

Phone: 905-899-3473 Fax: 905-899-2262

www.easyradiantworks.com email: erw@vaxxine.com

California Title 24 Submittal Data

Type: Patio heater

Intensity: High

Radiant Tube Type: No

Portable: Model PH-45-50-P-LP - Yes, All other models - No

Vented: No

Physically Possible to Measure Radiant Coefficient: No

Combustion Efficiency: Approx. 84%

Radiant Coefficient: n/a

Effective Heating Area: 20' dia.

Efficiency Index: n/a

